

# CB910GB QUALITY? LIVE AND LONG

The CB910G, the best wheel balancer that sells continuously for 18 years without any quality complains. His unique high quality and strong data stability did gain strong and good reputation from end users all over the world.



1000 MM



10" - 24"



65 kg



1,5" - 20"



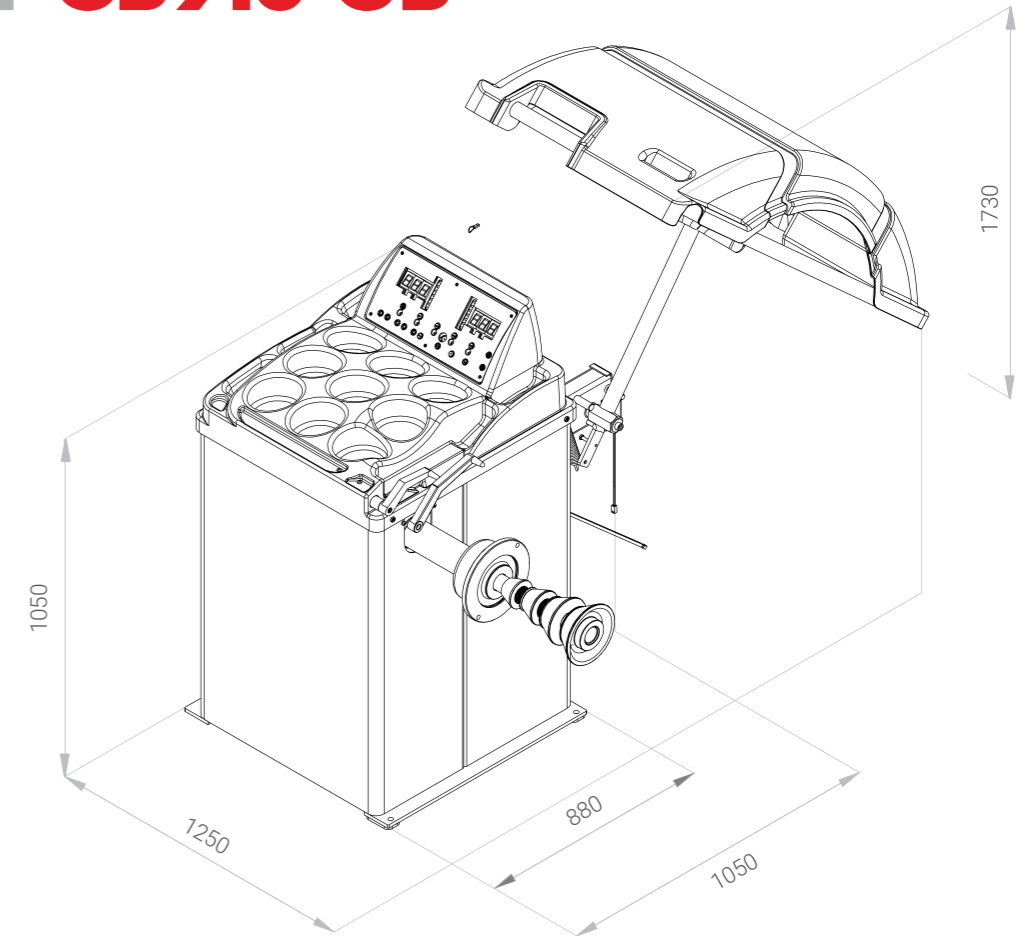
10 sec



200 rpm

## BRIGHT CB910 GB

### Line Drawing



### Highlights

- The balancer has independent intellectual property rights.
- The balancer has DYN/STA and different ALU balancing programs, this balancer also has motorcycle balancing program.
- The machine allows user to customize settings, for example, switch on/off protective cover, display accurate imbalance, etc.
- Customer can input distance/diameter/width by clockwise/anti-clockwise wheel rotation.
- The calibration is easy to proceed, the machine can quickly get back its precision.
- The machines can be optionally equipped with motorcycle adaptor.
- High quality weight tray cover can be used for a long period of time.
- The IMD display panel is resistant to scratch and erosion, it has long service time. The buttons will not be broken in 500.000 times. The panel will not get peeled or bulged.

### Technical data

Rim diameter	10" - 24" inch
Max wheel weight	65 kg
Max wheel diameter	1000mm
Rim width	1,5" - 20" inch
Precision	±1g
Motor Power	0.25kW
Power supply	100/230V 1ph
Rotation per minute	200rpm
Balancing time	10s
Second time mounting test	≤5g
Machine dimensions	1250x1050x1050 mm
Packing dimension	930x710x1160 mm
Net weight	107 kg
Gross weight	137 kg
Loading in 40 Ft. container	68 sets



Regular Use